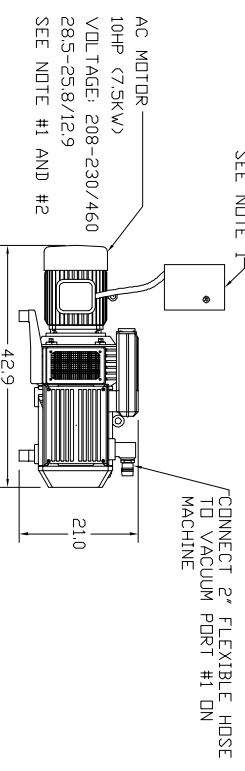
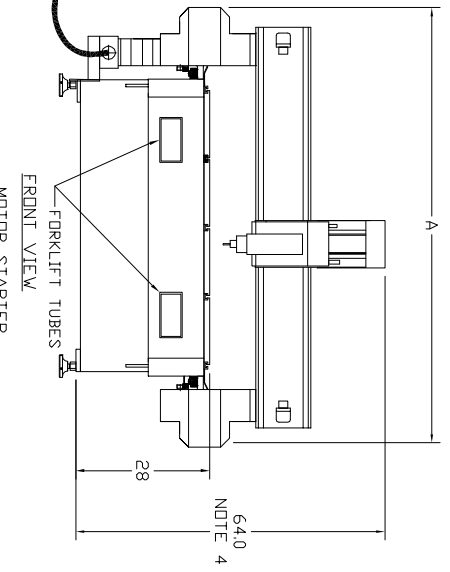
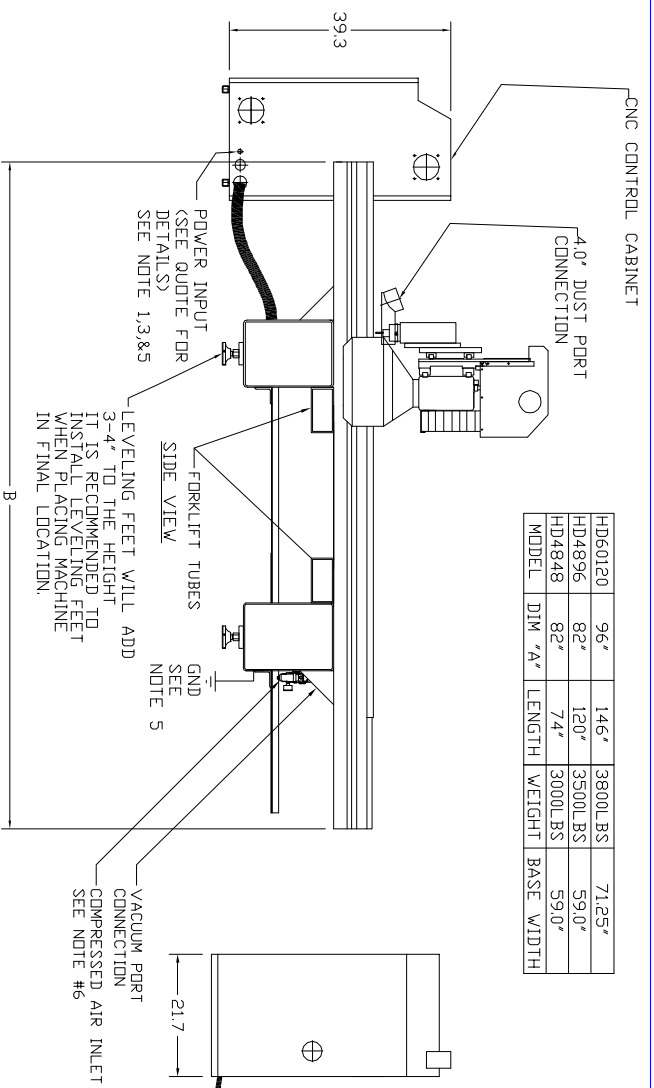


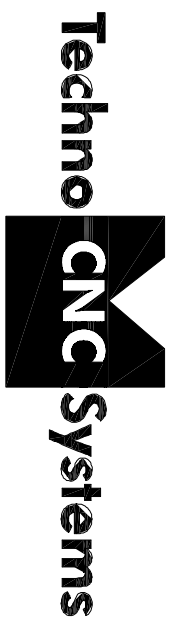
MODEL	DIM "A"	LENGTH	WEIGHT	BASE WIDTH
HD60120	96"	146"	3800LBS	71.25"
HD4896	82"	120"	3500LBS	59.0"
HD4848	82"	74"	3000LBS	59.0"



WEIGHTS & Z-AXIS ASSEMBLY=600LBS  
-GANTRY & ELECTRICAL CABINET=865LBS

1-CUSTOMER IS RESPONSIBLE FOR ALL DISCONNECTS AND TO MEET LOCAL ELECTRICAL CODES. ALL WIRING SHOULD BE PERFORMED BY A LICENSED ELECTRICIAN.  
 2-VACUUM PUMP ELECTRICAL REQUIREMENTS (OPTIONAL EQUIPMENT):  
 -FOR 208/230V A 40AMP CIRCUIT IS RECOMMENDED.  
 -FOR 440V/480V A 20 AMP CIRCUIT IS RECOMMENDED.  
 THESE SPECIFICATIONS ARE FOR EACH INDIVIDUAL AC MOTOR.  
 3-THE MACHINE CONTROLLER REQUIRES A 208-230V 3-PHASE 20 AMP DEDICATED CIRCUIT.  
 4-FOR 11-1/2" RAISED GANTRY ADD 10"  
 5-A 9 FOOT GROUND ROD SHOULD BE INSTALLED AND CONNECTED TO CONSOLE CHASSIS AND DR FRAME USING #8 AVG COPPER WIRE  
 6-A CLEAN DRY 90PSI AIR SOURCE REQUIRED

NO.	DATE	DESCRIPTION



29 TRADE ZONE DR. RONKONKOMA NY 11779 PH 631-648-7481  
 ATLAS SERIES FLOOR PLAN DETAIL

MAT.	BREAK CORNERS & EDGES .015	QTY REQ'D:	DRIG. DATE	DRAWN BY:
UNSPECIFIED TOLERANCES		UNITS:	SCALE:	CHECKED BY:
FRACTION +/- 1/32 XX +/- .010				
ANGLE +/- 1/2° XXX +/- .005				
PART NO.			DWG NO.	