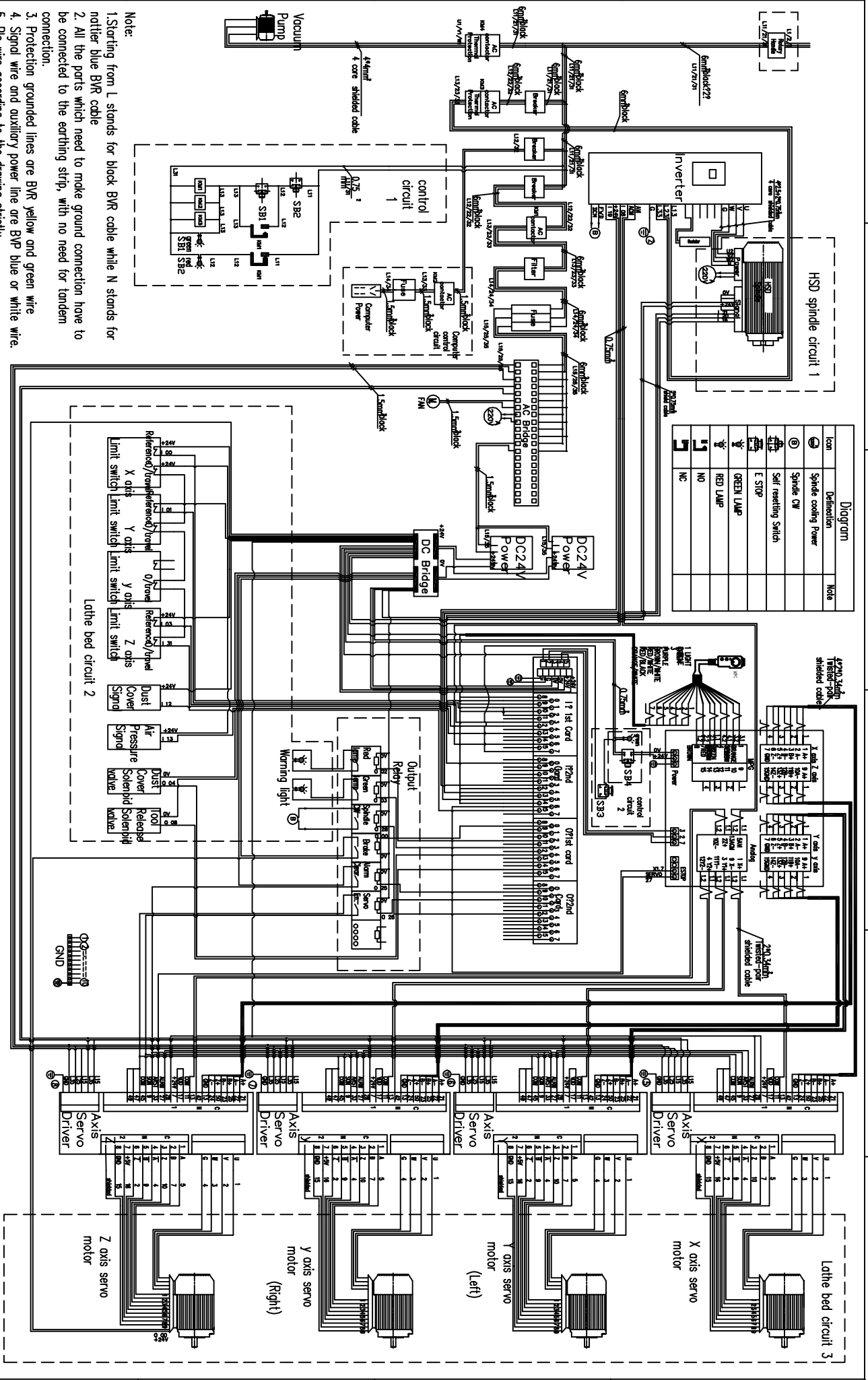


Diagram		
Icon	Definition	Note
	Spindle cooling Power	
	Spindle CW	
	Self resetting Switch	
	E STOP	
	GREEN LAMP	
	RED LAMP	
	NO	
	NC	



- Note:
- Starting from L stands for block BVR cable while N stands for another blue BVR cable
  - All the parts which need to make ground connection have to be connected to the earthing strip, with no need for tandem connection.
  - Protection grounded lines are BVR yellow and green wire
  - Signal wire and auxiliary power line are BVP blue or white wire.
  - Pis wire according to the drawing strictly.
  - SBI for green start button
  - SBI for red stop button
  - SBI for emergency stop
  - SBI for protection switch of front and rear door
  - The controlling circuit are all red cables

Wiring No.	From	To	Description	Wiring No.	From	To	Description
1	10	11	100V AC	1	10	11	100V AC
2	10	12	100V AC	2	10	12	100V AC
3	10	13	100V AC	3	10	13	100V AC
4	10	14	100V AC	4	10	14	100V AC
5	10	15	100V AC	5	10	15	100V AC
6	10	16	100V AC	6	10	16	100V AC
7	10	17	100V AC	7	10	17	100V AC
8	10	18	100V AC	8	10	18	100V AC
9	10	19	100V AC	9	10	19	100V AC
10	10	20	100V AC	10	10	20	100V AC
11	10	21	100V AC	11	10	21	100V AC
12	10	22	100V AC	12	10	22	100V AC
13	10	23	100V AC	13	10	23	100V AC
14	10	24	100V AC	14	10	24	100V AC
15	10	25	100V AC	15	10	25	100V AC
16	10	26	100V AC	16	10	26	100V AC
17	10	27	100V AC	17	10	27	100V AC
18	10	28	100V AC	18	10	28	100V AC
19	10	29	100V AC	19	10	29	100V AC
20	10	30	100V AC	20	10	30	100V AC
21	10	31	100V AC	21	10	31	100V AC
22	10	32	100V AC	22	10	32	100V AC
23	10	33	100V AC	23	10	33	100V AC
24	10	34	100V AC	24	10	34	100V AC
25	10	35	100V AC	25	10	35	100V AC
26	10	36	100V AC	26	10	36	100V AC
27	10	37	100V AC	27	10	37	100V AC
28	10	38	100V AC	28	10	38	100V AC
29	10	39	100V AC	29	10	39	100V AC
30	10	40	100V AC	30	10	40	100V AC
31	10	41	100V AC	31	10	41	100V AC
32	10	42	100V AC	32	10	42	100V AC
33	10	43	100V AC	33	10	43	100V AC
34	10	44	100V AC	34	10	44	100V AC
35	10	45	100V AC	35	10	45	100V AC
36	10	46	100V AC	36	10	46	100V AC
37	10	47	100V AC	37	10	47	100V AC
38	10	48	100V AC	38	10	48	100V AC
39	10	49	100V AC	39	10	49	100V AC
40	10	50	100V AC	40	10	50	100V AC

TECHNO INC	WIRING DIAGRAM	OSJL 135C	2011-09-29
Design	Approve	Review	Drawning
Radio	Name	No.	Date